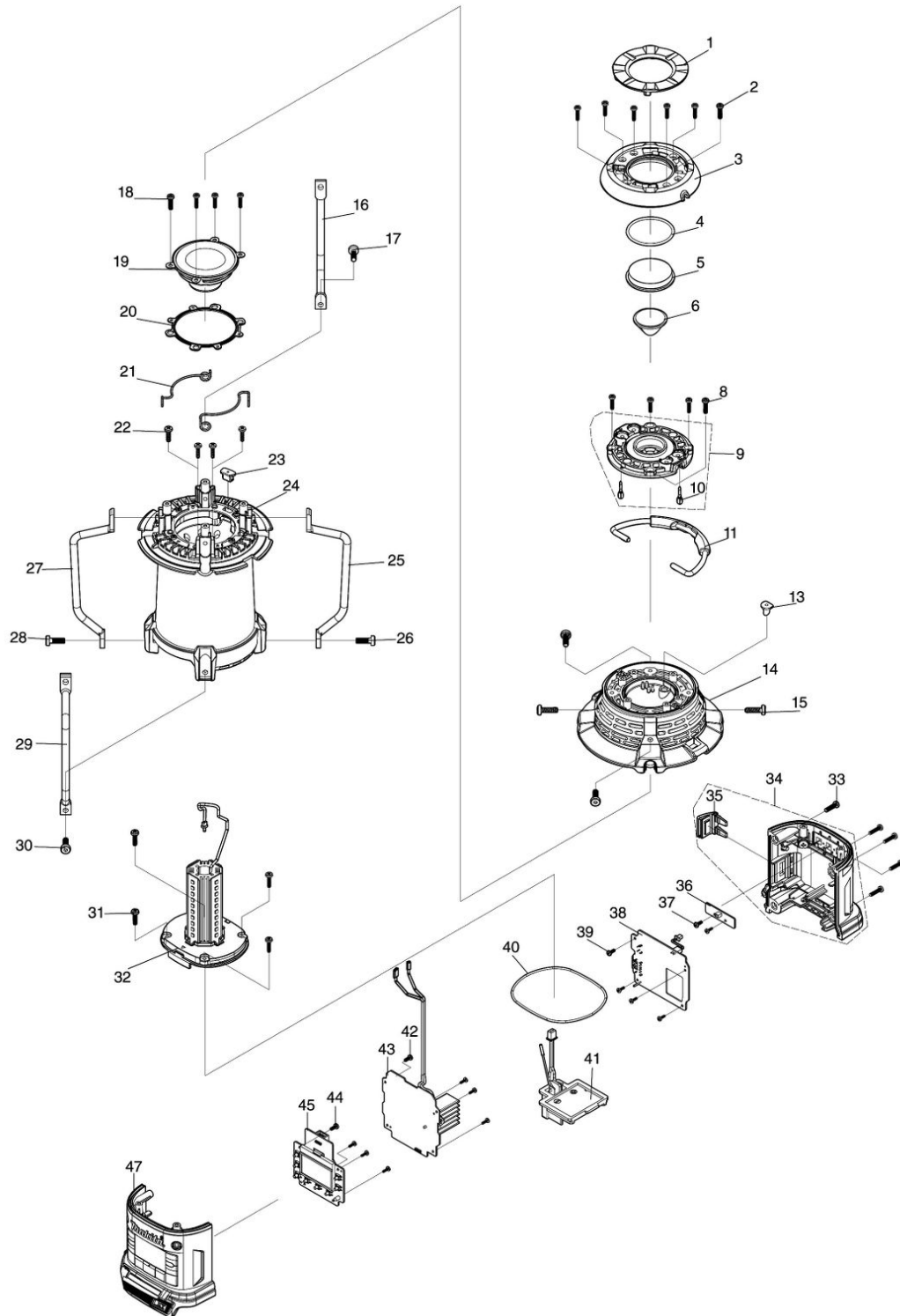


Model No.DMR057 CORDLESS RADIO WITH LANTERN



Nr.	Part nr.	Name
001	SE00001125	Voorpaneel DMR055/56
002	SE00001127	Tapschr 3x12mm DMR055
003	SE00001128	Afdekkap DMR055/56
004	SE00001129	O-ring 37,8mm DMR055/56
005	SE00001130	Lens DMR055/56
006	SE00001131	Ledlens DMR055/56
008	SE00001127	Tapschr 3x12mm DMR055
009	SE00001134	Ledhouder+circuit DMR055/56
010	SE00001136	Rubbermat A DMR055/56
011	SE00001137	Handgreep DMR055/56
013	SE00001138	Afdekkap A DMR055/56
014	SE00001139	Bovenhuis DMR055/56
015	SE00001140	Inbussch M4x16mm DMR055/56
016	SE00001141	Valbeugel DMR055/56
017	SE00001216	Moerbout M4x13mm DMR055
018	SE00001127	Tapschr 3x12mm DMR055
019	SE00001144	Speaker DMR055/56
020	SE00001146	Pakking DMR055/56
021	SE00001147	Antennekabel DMR055/56
022	SE00001148	Tapschr 3x12mm DMR055/56
023	SE00001149	Afdekkap B DMR055/56
024	SE00001150	Lampkap DMR055/56
025	SE00001141	Valbeugel DMR055/56
026	SE00001216	Moerbout M4x13mm DMR055
027	SE00001141	Valbeugel DMR055/56
028	SE00001216	Moerbout M4x13mm DMR055
029	SE00001141	Valbeugel DMR055/56
030	SE00001216	Moerbout M4x13mm DMR055
031	SE00001218	Inb.schr M3x12mm DMR056
032	SE00001152	Circuit C+E DMR057
033	SE00001127	Tapschr 3x12mm DMR055
034	SE00001224	Behuizing achter DMR057
035	SE00001158	Afdekkap USB DMR055/56
036	SE00001159	Circuit K MR010G
037	SE00001160	Tapschroef 2x6mm DMR055/56
038	SE00001226	Circuit H DMR057
039	SE00001160	Tapschroef 2x6mm DMR055/56
040	SE00001163	Bodemplaat DMR055/56
041	SE00001165	Houder LXT DMR057
042	SE00001160	Tapschroef 2x6mm DMR055/56
043	SE00001228	Circuit A DMR057
044	SE00001160	Tapschroef 2x6mm DMR055/56
045	SE00001232	Circuit C DMR057
047	SE00001237	Behuizing voor DMR057